

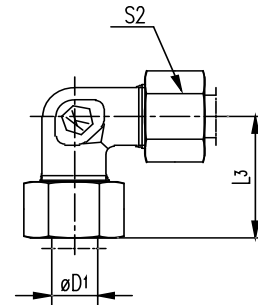
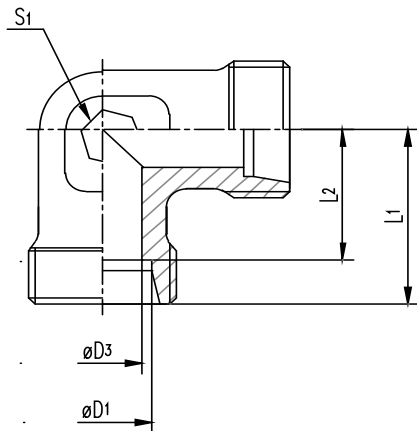
W Union elbow - 24° cone end

W Winkel-Stutzen 24°-Anschluss

**PREMOEM**  
PREMIUM HYDRAULIC SOLUTIONS - GERMANY

Order code without nut and cutting ring  
XD...(X122....)

Order code with nut and cutting ring  
D...(122....)



Series	Tube ØD1	D3	L1	L2	L3	S1	S2	Weight g/1 piece	ITEM CODE	ITEM NAME	PN (bar)
LL DB	4	3.0	15	11.0	21	9	10	13	122100404	W 04 LL	100
	6	4.5	15	9.5	21	9	12	16	122100606	W 06 LL	100
	8	6.0	17	11.5	23	12	14	15	122100808	W 08 LL	100
	10	8.0	18	12.5	24	12	17	19	122101010	W 10 LL	100
	12	10.0	19	13.0	25	14	19	22	122101212	W 12 LL	100
L NB	6	4.0	19	12.0	27	12	14	20	122200606	W 06 L	315
	8	6.0	21	14.0	29	12	17	23	122200808	W 08 L	315
	10	8.0	22	15.0	30	14	19	30	122201010	W 10 L	315
	12	10.0	24	17.0	32	17	22	40	122201212	W 12 L	315
	15	12.0	28	21.0	36	19	27	75	122201515	W 15 L	315
	18	15.0	31	23.5	40	24	32	108	122201818	W 18 L	315
	22	19.0	35	27.5	44	27	36	140	122202222	W 22 L	160
	28	24.0	38	30.5	47	36	41	251	122202828	W 28 L	160
	35	30.0	45	34.5	56	41	50	388	122203535	W 35 L	160
S YB	6	4.0	23	16.0	31	12	17	32	122300606	W 06 S	630
	8	5.0	24	17.0	32	14	19	45	122300808	W 08 S	630
	10	7.0	25	17.5	34	17	22	57	122301010	W 10 S	630
	12	8.0	29	21.5	38	17	24	89	122301212	W 12 S	630
	14	10.0	30	22.0	40	19	27	95	122301414	W 14 S	630
	16	12.0	33	24.5	43	24	30	83	122301616	W 16 S	400
	20	16.0	37	26.5	48	27	36	185	122302020	W 20 S	400
	25	20.0	42	30.0	54	36	46	352	122302525	W 25 S	400
	30	25.0	49	35.5	62	41	50	516	122303030	W 30 S	400
	38	32.0	57	41.0	72	50	60	823	122303838	W 38 S	315

LL= very light series

L= light series

S= heavy series

PN (bar) = PN (MPa)

10

Zinc plated=Cr(VI)-free