

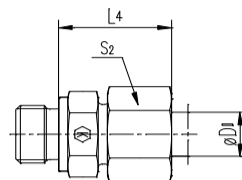
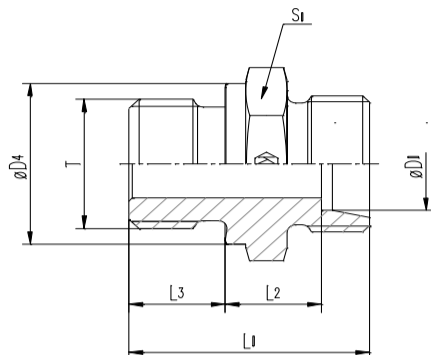
GE-M Male stud connector
Male metric thread-metal sealing edge (ISO 9974) 24° cone end

GE-M Gerader Einschraubstutzen - Metr. Einschraubzapfen - 24°-Anschluss

PREMOEM
PREMIUM HYDRAULIC SOLUTIONS - GERMANY

Order code without nut and cutting ring
XRE...(X142....)

Order code with nut and cutting ring
RE...(142....)



Series	Tube $\varnothing D_1$	T	D4	L1	L2	L3	L4	S1	S2	Weight g/1 piece	ITEM CODE	ITEM NAME	PN (bar)
L NB	6	M10x1	14	23.5	8.5	8	23	14	14	14	142220610	RE6NBM10	315
	8	M12x1.5	17	29.0	10.0	12	25	17	17	22	142220812	RE8NBM12	315
	10	M10x1	14	25.5	10.5	8	25	17	19	0	142221010	RE10NBM10	315
	10	M12x1.5	17	30.0	11.0	12	26	17	19	24	142221012	RE10NBM12	315
	10	M14x1.5	19	30.0	11.0	12	26	19	19	30	142221014	RE10NBM14	315
	10	M16x1.5	21	31.5	12.0	12	27	22	19	42	142221016	RE10NBM16	315
	10	M18x1.5	23	31.5	12.5	12	27	24	19	52	142221018	RE10NBM18	315
	10	M22x1.5	27	35.0	14.0	14	29	27	19	83	142221022	RE10NBM22	315
	12	M14x1.5	19	30.0	11.0	12	26	19	22	30	142221214	RE12NBM14	315
	12	M16x1.5	21	31.5	12.5	12	27	22	22	40	142221216	RE12NBM16	315
	12	M18x1.5	23	31.5	12.5	12	27	24	22	45	142221218	RE12NBM18	315
	12	M22x1.5	27	35.0	14.0	14	29	27	22	80	142221222	RE12NBM22	315
	15	M16x1.5	21	32.0	13.0	12	28	24	27	49	142221516	RE15NBM16	315
	15	M18x1.5	23	32.5	13.5	12	29	24	27	51	142221518	RE15NBM18	315
	15	M22x1.5	27	36.0	15.0	14	30	27	27	81	142221522	RE15NBM22	315
	18	M18x1.5	23	33.5	14.0	12	30	27	32	67	142221818	RE18NBM18	315
	18	M22x1.5	27	36.0	14.5	14	31	27	32	74	142221822	RE18NBM22	315
	22	M22x1.5	27	38.0	16.5	14	33	32	36	92	142222222	RE22NBM22	315
	22	M26x1.5	31	40.0	16.5	16	33	32	36	101	142222226	RE22NBM26	315
	28	M33x2	39	43.0	17.5	18	34	41	41	167	142222833	RE28NBM33	315
35	M42x2	49	48.0	17.5	20	39	50	50	286	142223542	RE35NBM42	315	
42	M48x2	55	52.0	19.0	22	42	55	60	353	142224248	RE42NBM48	315	
S YB	6	M12x1.5	17	32.0	13.0	12	28	17	17	30	142320612	RE6YBM12	630
	6	M14x1.5	19	34.0	15.0	12	30	19	17	42	142320614	RE6YBM14	630
	8	M14x1.5	19	34.0	15.0	12	30	19	19	43	142320814	RE8YBM14	630
	10	M16x1.5	21	34.5	15.0	12	31	22	22	54	142321016	RE10YBM16	630
	12	M14x1.5	19	36.0	16.5	12	33	22	24	61	142321214	RE12YBM14	630
	12	M18x1.5	23	36.5	17.0	12	33	24	24	72	142321218	RE12YBM18	630
	12	M22x1.5	27	39.0	17.5	14	34	27	24	103	142321222	RE12YBM22	630
	14	M20x1.5	25	41.0	19.0	14	37	27	27	94	142321420	RE14YBM20	630
	16	M18x1.5	23	38.5	18.0	12	36	27	30	78	142321618	RE16YBM18	400
	16	M22x1.5	27	41.0	18.5	14	37	27	30	97	142321622	RE16YBM22	400
	20	M27x2	32	47.0	20.5	16	42	32	36	153	142322027	RE20YBM27	400
	25	M33x2	39	53.0	23.0	18	47	41	46	268	142322533	RE25YBM33	400
	30	M42x2	49	57.0	23.5	20	50	50	50	423	142323042	RE30YBM42	250
38	M48x2	55	64.0	26.0	22	57	55	60	575	142323848	RE38YBM48	250	

L= light series

S= heavy series

$\frac{\text{PN (bar)}}{10} = \text{PN (MPa)}$

Zinc plated=Cr(VI)-free