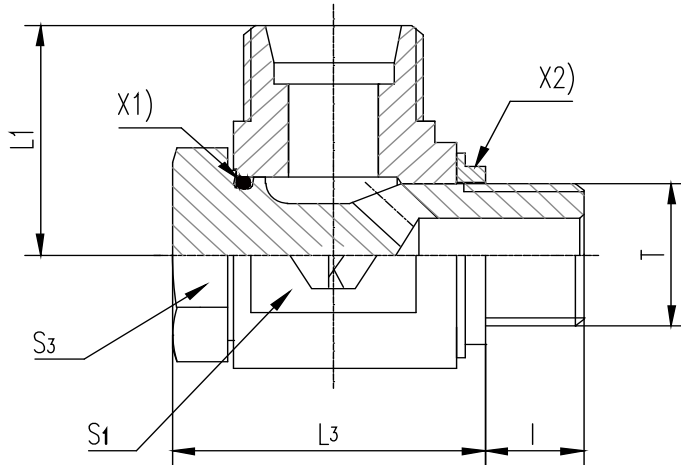


WH BSPP male stud banjo elbow  
 WH-R-KDS / 24° cone end

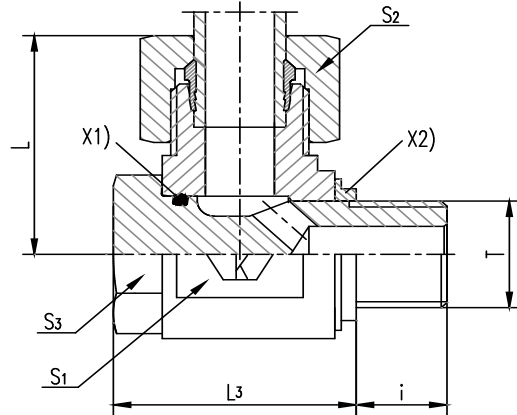
WH-R Zöll. Schwenkverschraubung - 24°-Anschluss/Zöll. Einschraubzapfen metall.D.

**PREMOEM**  
 PREMIUM HYDRAULIC SOLUTIONS - GERMANY

**Order code without nut and cutting ring  
 XDD....(X206...)**



**Order code with nut and cutting ring  
 DD....(206...)**



X1) O-ring OR  
 X2) Soft seal ring KDS

Series	Tube ØD1	T	i	L1	L	L3	S1	S2	S3	O-RING	ITEM CODE	ITEM NAME	PN (bar)
	6	G 1/8A	8	21	27.5	26.5	23	12	14	OR 8.5x1.5	<b>206110602</b>	<b>DD6DBR02CP</b>	100
	8	G 1/8A	8	22	28.5	26.5	23	14	14	OR 8.5x1.5	<b>206110802</b>	<b>DD8DBR02CP</b>	100
L NB	6	G 1/8A	8	23	30.5	26.5	23	14	14	OR 8.5x1.5	<b>206210602</b>	<b>DD6NBR02CP</b>	250
	6	G 1/4A	12	23	30.5	28	23	14	19	OR 11x2	<b>206210604</b>	<b>DD6NBR04CP</b>	250
	8	G 1/4A	12	23	31	28	23	17	19	OR 11x2	<b>206210804</b>	<b>DD8NBR04CP</b>	250
	10	G 1/4A	12	23	31	28	23	19	19	OR 11x2	<b>206211004</b>	<b>DD10NBR04CP</b>	250
	10	G 3/8A	12	26.5	34	33.5	28	19	22	OR 14.5x2	<b>206211006</b>	<b>DD10NBR06CP</b>	250
	12	G 3/8A	12	26.5	34	33.5	28	22	22	OR 14.5x2	<b>206211206</b>	<b>DD12NBR06CP</b>	250
	15	G 1/2A	14	33	41	44	36	27	27	OR 19.5x2	<b>206211508</b>	<b>DD15NBR08CP</b>	250
	18	G 1/2A	14	33	42.5	44	36	32	27	OR 19.5x2	<b>206211808</b>	<b>DD18NBR08CP</b>	160
	22	G 3/4A	16	41	50	48	45	36	32	OR 26x1.5	<b>206212212</b>	<b>DD22NBR12CP</b>	160
	28	G 1A	18	44	53	59	50	41	41	OR 31x2	<b>206212816</b>	<b>DD28NBR16CP</b>	160
	35	G 1 1/4A	20	50	61	70	60	50	50	OR 40x2	<b>206213520</b>	<b>DD35NBR20CP</b>	160
42	G 1 1/2A	22	53.5	65.5	80	70	60	55	OR 46x2	<b>206214224</b>	<b>DD42NBR24CP</b>	160	
S YB	6	G 1/4A	12	23	31	26.5	23	17	19	OR 11x2	<b>206310604</b>	<b>DD6YBR04CP</b>	250
	8	G 1/4A	12	23	31	26.5	23	19	19	OR 11x2	<b>206310804</b>	<b>DD8YBR04CP</b>	250
	10	G 3/8A	12	26.5	35	33.5	28	22	22	OR 14.5x2	<b>206311006</b>	<b>DD10YBR06CP</b>	250
	12	G 3/8A	12	26.5	35	33.5	28	24	22	OR 14.5x2	<b>206311206</b>	<b>DD12YBR06CP</b>	250
	14	G 1/2A	14	33	43	44	36	27	27	OR 19.5x2	<b>206311408</b>	<b>DD14YBR08CP</b>	250
	16	G 1/2A	14	33	43	44	36	30	27	OR 19.5x2	<b>206311608</b>	<b>DD16YBR08CP</b>	160
	20	G 3/4A	16	42	53	48	45	36	32	OR 26x1.5	<b>206312012</b>	<b>DD20YBR12CP</b>	160
	25	G 1A	18	47	59	59	50	46	41	OR 31x2	<b>206312516</b>	<b>DD25YBR16CP</b>	160
	30	G 1 1/4A	20	50	63	70	60	50	50	OR 40x2	<b>206313020</b>	<b>DD30YBR20CP</b>	160
	38	G 1 1/2A	22	53.5	68.5	80	70	60	55	OR 46x2	<b>206313824</b>	<b>DD38YBR24CP</b>	160

LL= very light series

L= light series

S= heavy series

$\frac{PN \text{ (bar)}}{10} = PN \text{ (MPa)}$

Zinc plated=Cr(VI)-free