

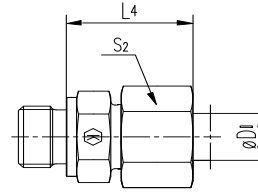
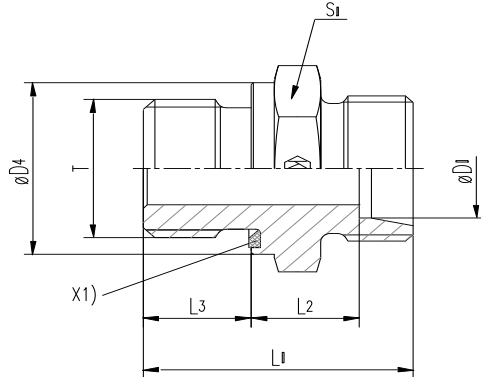
GE-R-ED Male stud connector
Male BSPP thread-ED-seal (ISO 1179) 24° cone end

GE-R-ED Gerader Einschraubstutzen-Zölli. Einschraubzapfen -ED- 24°-Anschluss

PREMOEM
PREMIUM HYDRAULIC SOLUTIONS - GERMANY

Order code without nut and cutting ring
XRE...(X501....)

Order code with nut and cutting ring
RE...(501....)



X1) Elastic-sealing ED

Series	Tube ØD1	T (BSPP)	D4	L1	L2	L3	L4	S1	S2	Weight g/1 piece	ITEM CODE	ITEM NAME	PN (bar)
S YB	6	G 1/4A	18.9	32.0	13.0	12	28	19	17	36	501310604	RE6YBR04PLX	630
	6	G 1/8A	13.9	27.5	12.5	8	27	14	17	21	501310602	RE6YBR02PLX	630
	6	G 3/8A	21.9	34.5	15.5	12	30	22	17	52	501310606	RE6YBR06PLX	630
	6	G 1/2A	26.9	39.0	18.0	14	33	27	17	83	501310608	RE6YBR08PLX	630
	8	G 1/4A	18.9	34.0	15.0	12	30	19	19	41	501310804	RE8YBR04PLX	630
	8	G 3/8A	21.9	34.5	15.5	12	30	22	19	57	501310806	RE8YBR06PLX	630
	8	G 1/2A	26.9	39.0	18.0	14	33	27	19	89	501310808	RE8YBR08PLX	630
	10	G 3/8A	21.9	34.5	15.0	12	31	22	22	55	501311006	RE10YBR06PLX	630
	10	G 1/4A	18.9	34.0	14.5	12	31	19	22	40	501311004	RE10YBR04PLX	630
	10	G 1/2A	26.9	39.0	17.5	14	34	27	22	96	501311008	RE10YBR08PLX	630
	12	G 3/8A	21.9	36.5	17.0	12	33	22	24	64	501311206	RE12YBR06PLX	630
	12	G 1/4A	18.9	36.0	16.5	12	33	22	24	54	501311204	RE12YBR04PLX	630
	12	G 1/2A	26.9	39.0	17.5	14	34	27	24	96	501311208	RE12YBR08PLX	630
	14	G 1/2A	26.9	41.0	19.0	14	37	27	27	96	501311408	RE14YBR08PLX	630
	14	G 3/8A	21.9	38.5	18.5	12	36	24	27	74	501311406	RE14YBR06PLX	630
	14	G 3/4A	31.9	45.0	21.0	16	39	32	27	138	501311412	RE14YBR12PLX	630
	16	G 1/2A	26.9	41.0	18.5	14	37	27	30	91	501311608	RE16YBR08PLX	400
	16	G 3/8A	21.9	38.5	18.0	12	36	27	30	84	501311606	RE16YBR06PLX	400
	16	G 3/4A	31.9	45.0	20.5	16	39	32	30	153	501311612	RE16YBR12PLX	400
	20	G 3/4A	31.9	47.0	20.5	16	42	32	36	147	501312012	RE20YBR12PLX	400
	20	G 1/2A	26.9	45.0	20.5	14	42	32	36	136	501312008	RE20YBR08PLX	400
	20	G 1A	39.9	49.0	20.5	18	44	41	36	250	501312016	RE20YBR16PLX	400
	20	G 1 1/4A	49.9	53.0	22.5	20	44	50	36	442	501312020	RE20YBR20PLX	400
	25	G 1A	39.9	53.0	23.0	18	47	41	46	260	501312516	RE25YBR16PLX	400
	25	G 1/2A	26.9	49.0	23.0	14	47	41	46	238	501312508	RE25YBR08PLX	400
	25	G 3/4A	31.9	51.0	23.0	16	47	41	46	238	501312512	RE25YBR12PLX	400
	25	G 1 1/4A	49.9	55.0	23.0	20	47	50	46	440	501312520	RE25YBR20PLX	400
	25	G 1 1/2A	54.9	60.0	26.0	22	50	55	46	482	501312524	RE25YBR24PLX	400
	30	G 1 1/4A	49.9	57.0	23.5	20	50	50	50	414	501313020	RE30YBR20PLX	400
	30	G 1A	39.9	55.0	23.5	18	50	46	50	321	501313016	RE30YBR16PLX	400
	30	G 1 1/2A	54.9	62.0	26.5	22	53	55	50	531	501313024	RE30YBR24PLX	315
	38	G 1 1/2A	54.9	64.0	26.0	22	57	55	60	562	501313824	RE38YBR24PLX	315
38	G 1 1/4A	49.9	62.0	26.0	20	57	55	60	552	501313820	RE38YBR20PLX	315	

S=heavy series

$\frac{\text{PN (bar)}}{10} = \text{PN (MPa)}$

Zinc plated=Cr(VI)-free