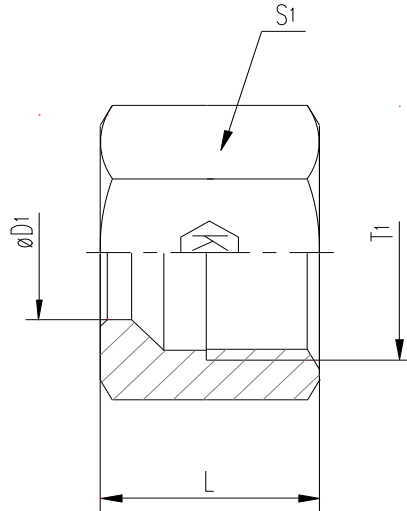


M Union nut - 24° cone end

M Überwurfmutter - 24° Anschluss

PREMOEM
PREMIUM HYDRAULIC SOLUTIONS - GERMANY

Order Code
S....(102...)



Series	Tube	T1	L	S1	Weight	ITEM CODE	ITEM NAME
	ØD1						
LL DB	4	M8x1	11.0	10	4	102120408	S4DB
	6	M10x1	11.5	12	5	102120610	S6DB
	8	M12x1	12.0	14	7	102120812	S8DB
	10	M14x1	12.5	17	12	102121014	S10DB
	12	M16x1	13.0	19	14	102121216	S12DB
L NB	6	M12x1,5	14.5	14	10	102220612	S6NB
	8	M14x1,5	14.5	17	14	102220814	S8NB
	10	M16x1,5	15.5	19	18	102221016	S10NB
	12	M18x1,5	15.5	22	26	102221218	S12NB
	15	M22x1,5	17.0	27	42	102221522	S15NB
	18	M26x1,5	18.0	32	62	102221826	S18NB
	22	M30x2	20.0	36	82	102222230	S22NB
	28	M36x2	21.0	41	95	102222836	S28NB
	35	M45x2	24.0	50	133	102223545	S35NB
42	M52x2	24.0	60	228	102224252	S42NB	
S YB	6	M14x1,5	16.5	17	18	102320614	S6YB
	8	M16x1,5	16.5	19	21	102320816	S8YB
	10	M18x1,5	17.5	22	30	102321018	S10YB
	12	M20x1,5	17.5	24	33	102321220	S12YB
	14	M22x1,5	20.5	27	53	102321422	S14YB
	16	M24x1,5	20.5	30	63	102321624	S16YB
	20	M30x2	24.0	36	106	102322030	S20YB
	25	M36x2	27.0	46	205	102322536	S25YB
	30	M42x2	29.0	50	230	102323042	S30YB
38	M52x2	32.5	60	343	102323852	S38YB	

LL= very light series

L= light series

S= heavy series

$\frac{PN \text{ (bar)}}{10} = PN \text{ (MPa)}$

Zinc plated=Cr(VI)-free