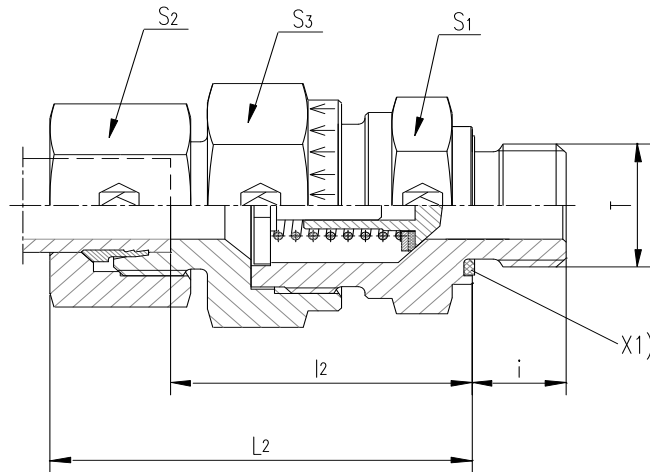


RHV-R-ED Non return valve

RHV-R-ED Rückschlagventil EO 24° Anschluss/Zöll. Einschraubzapfen-ED (ISO1179)

PREMOEM
PREMIUM HYDRAULIC SOLUTIONS - GERMANY

Order code
CVRS...(373....)



X1) Elastic-sealing ED

Series	Tube ØD1	T	i	l2	L2	S1	S2	S3	ITEM CODE	ITEM NAME	PN (bar)
L NB	6	G 1/8A	8	28	42.5	17	14	17	373210602	CVRS6NBR02PLX	250
	8	G 1/4A	12	30	44.5	19	17	19	373210804	CVRS8NBR04PLX	250
	10	G 1/4A	12	38.5	53	22	19	24	373211004	CVRS10NBR04PLX	250
	12	G 3/8A	12	42.5	57	27	22	30	373211206	CVRS12NBR06PLX	250
	15	G 1/2A	14	45.5	60.5	27	27	32	373211508	CVRS15NBR08PLX	250
	18	G 1/2A	14	50	66	36	32	36	373211808	CVRS18NBR08PLX	160
	22	G 3/4A	16	55	71	41	36	46	373212212	CVRS22NBR12PLX	160
	28	G 1A	18	63	79.5	50	41	55	373212816	CVRS28NBR16PLX	100
	35	G 1 1/4A	20	69	90.5	60	50	60	373213520	CVRS35NBR20PLX	100
	42	G 1 1/2A	22	68.5	91	65	60	70	373214224	CVRS42NBR24PLX	100
S YB	6	G 1/4A	12	31.5	46	19	17	19	373310604	CVRS6YBR04PLX	400
	8	G 1/4A	12	31.5	46	19	19	19	373310804	CVRS8YBR04PLX	400
	10	G 3/8A	12	38	54	22	22	24	373311006	CVRS10YBR06PLX	400
	12	G 3/8A	12	41	57	24	24	27	373311206	CVRS12YBR06PLX	400
	14	G 1/2A	14	44.5	62	27	27	32	373311408	CVRS14YBR08PLX	400
	16	G 1/2A	14	48	66	32	30	36	373311608	CVRS16YBR08PLX	400
	20	G 3/4A	16	52	73.5	41	36	46	373312012	CVRS20YBR12PLX	400
	25	G 1A	18	54.5	78.5	46	46	50	373312516	CVRS25YBR16PLX	250
	30	G 1 1/4A	20	64	90.5	60	50	60	373313020	CVRS30YBR20PLX	250
	38	G 1 1/2A	22	69.5	100	65	60	70	373313824	CVRS38YBR24PLX	250

L= light series

S= heavy series

$\frac{PN \text{ (bar)}}{10} = PN \text{ (MPa)}$

Zinc plated=Cr(VI)-free