

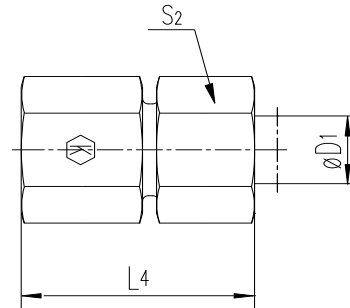
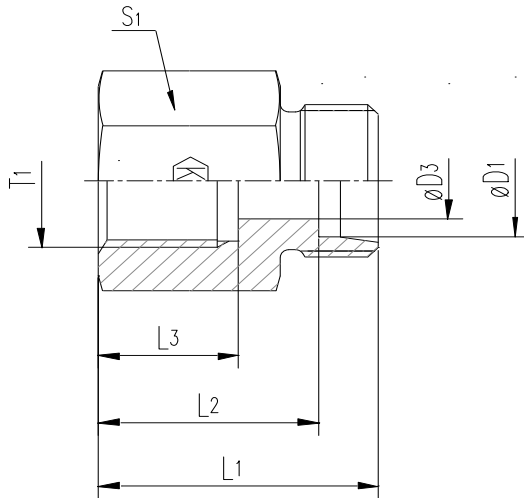
GAI-M Female connector
 Female metric thread (ISO 9974-1) 24° cone end

GAI-M Gerader Aufschraubstutzen - Metr. Innengewinde - (ISO 9974-1) - 24° Anschluss

PREMOEM
 PREMIUM HYDRAULIC SOLUTIONS - GERMANY

Order code without nut and cutting ring
 XDRE....(X262...)

Order code with nut and cutting ring
 DRE....(262...)



| Series | Tube ØD1 | T1 | D3 | L1 | L2 | L3 | L4 | S1 | S2 | Weight g/1 piece | ITEM CODE | ITEM NAME | PN (bar) |
|---------|-------------|---------|------|------|------|------|----|----|-----|------------------------|------------|------------|----------|
| | | | | | | | | | | | | | |
| L NB | 6 | M10x1 | 4 | 26.5 | 19.5 | 12.5 | 34 | 14 | 14 | 18 | 262220610 | DRE6NBM10 | 315 |
| | 8 | M12x1.5 | 6 | 31.0 | 24.0 | 17.0 | 39 | 17 | 17 | 32 | 262220812 | DRE8NBM12 | 315 |
| | 10 | M14x1.5 | 8 | 32.0 | 25.0 | 17.0 | 40 | 19 | 19 | 39 | 262221014 | DRE10NBM14 | 315 |
| | 12 | M16x1.5 | 10 | 33.0 | 26.0 | 17.0 | 41 | 22 | 22 | 52 | 262221216 | DRE12NBM16 | 315 |
| | 15 | M18x1.5 | 12 | 35.0 | 28.0 | 17.0 | 43 | 24 | 27 | 68 | 262221518 | DRE15NBM18 | 315 |
| | 18 | M22x1.5 | 15 | 37.0 | 29.5 | 19.0 | 46 | 30 | 32 | 111 | 262221822 | DRE18NBM22 | 315 |
| | 22 | M26x1.5 | 19 | 42.0 | 34.5 | 21.0 | 51 | 32 | 36 | 123 | 262222226 | DRE22NBM26 | 160 |
| | 28 | M33x2 | 24 | 45.0 | 37.5 | 24.0 | 54 | 41 | 41 | 211 | 262222833 | DRE28NBM33 | 160 |
| | 35 | M42x2 | 30 | 51.0 | 40.5 | 26.0 | 62 | 55 | 50 | 459 | 262223542 | DRE35NBM42 | 160 |
| 42 | M48x2 | 36 | 53.0 | 42.0 | 28.0 | 65 | 60 | 60 | 522 | 262224248 | DRE42NBM48 | 160 | |
| S YB | 6 | M12x1.5 | 4 | 33.0 | 26.0 | 17.0 | 41 | 17 | 17 | 35 | 262320612 | DRE6YBM12 | 630 |
| | 8 | M14x1.5 | 5 | 33.0 | 26.0 | 17.0 | 41 | 17 | 19 | 42 | 262320814 | DRE8YBM14 | 630 |
| | 10 | M16x1.5 | 7 | 34.0 | 26.5 | 17.0 | 43 | 22 | 22 | 58 | 262321016 | DRE10YBM16 | 630 |
| | 12 | M18x1.5 | 8 | 35.0 | 27.5 | 17.0 | 44 | 24 | 24 | 70 | 262321218 | DRE12YBM18 | 630 |
| | 14 | M20x1.5 | 10 | 39.0 | 31.0 | 19.0 | 49 | 27 | 27 | 95 | 262321420 | DRE14YBM20 | 630 |
| | 16 | M22x1.5 | 12 | 39.0 | 30.5 | 19.0 | 49 | 30 | 30 | 114 | 262321622 | DRE16YBM22 | 400 |
| | 20 | M27x2 | 16 | 45.0 | 34.5 | 22.0 | 56 | 36 | 36 | 189 | 262322027 | DRE20YBM27 | 400 |
| | 25 | M33x2 | 20 | 49.0 | 37.0 | 24.0 | 61 | 41 | 46 | 235 | 262322533 | DRE25YBM33 | 400 |
| | 30 | M42x2 | 25 | 55.0 | 41.5 | 26.0 | 68 | 55 | 50 | 490 | 262323042 | DRE30YBM42 | 400 |
| 38 | M48x2 | 32 | 59.0 | 43.0 | 28.0 | 74 | 60 | 60 | 597 | 262323848 | DRE38YBM48 | 315 | |

L= light series
 S= heavy series

$\frac{PN \text{ (bar)}}{10} = PN \text{ (MPa)}$
 Zinc plated=Cr(VI)-free